

Periscope Kit

OT-001

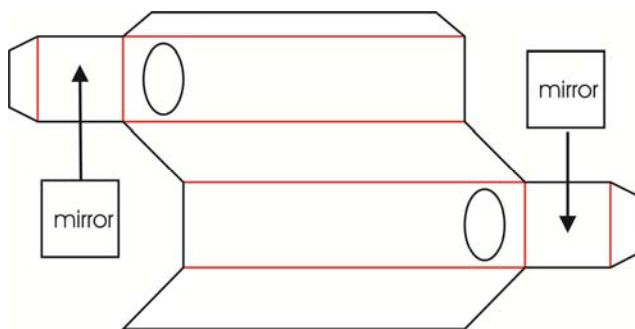
INTRODUCTION:

The Lascells periscope kit comprises of 30 periscope nets and 60 mirrors to the whole class to take part in the activity.

Construction:

Fold all scored edges on the cardboard net so they fold easily when adding the sticky tape later.

Use double-sided tape to fix a mirror to each of the two square sections next to the eye holes.



Fold the body into a tube with the flap on the outside and tape securely along the long edge.

Fold each mirror section into place again with the flap on the outside and tape.

The periscope is now ready for use.

Lascells Ltd.,

Walkmill Business Park, Sutton Road, Market Drayton, Shropshire. TF9 2HT

Tel 01630 657 801 Fax 01630 656726

www.lascells.com

Periscope Kit

OT-001

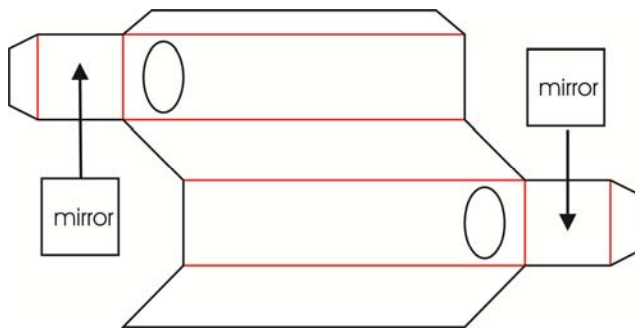
INTRODUCTION:

The Lascells periscope kit comprises of 30 periscope nets and 60 mirrors to the whole class to take part in the activity.

Construction:

Fold all scored edges on the cardboard net so they fold easily when adding the sticky tape later.

Use double-sided tape to fix a mirror to each of the two square sections next to the eye holes.



Fold the long body into place with the flap on the outside and tape securely along the long edge.

Fold each mirror section into place again with the flap on the outside and tape.

The periscope is now ready for use.

Lascells Ltd.,

Walkmill Business Park, Sutton Road, Market Drayton, Shropshire. TF9 2HT

Tel 01630 657 801 Fax 01630 656726

www.lascells.com